



Packaging Information – Reels

PERFORMANCE PIPE REELS PRODUCTS

| Size | Nominal OD | Maximum Conduit Length | Reel OD | Hub OD | Reel Width Outside | Maximum Reels Per Truck | Potential Feet Per Truck | Trailer Requirement |
|--------|------------|------------------------|---------|--------|--------------------|-------------------------|--------------------------|---------------------|
| 1" | 1.315" | 15,000' | 96" | 30" | 48" | 12 | 180,000' | 48' trailer |
| 1-1/4" | 1.660" | 8,400' | 96" | 36" | 48" | 12 | 100,800' | 48' trailer |
| 1-1/4" | " | 13,000' | 114" | 36" | 48" | 8 ** | 104,000' | Drop-deck Trailer |
| 1-1/2" | 1.900" | 6,200' | 96" | 42" | 48" | 12 | 74,400' | 48' trailer |
| 1-1/2" | " | 9,500' | 114" | 42" | 48" | 8 ** | 76,000' | Drop-deck Trailer |
| 2" | 2.375" | 3,500' | 96" | 48" | 48" | 12 | 42,000' | 48' trailer |
| 2" | " | 5,700' | 114" | 48" | 48" | 8 ** | 45,600' | Drop-deck Trailer |
| 2-1/2" | 2.875" | 1,400' | 96" | 68" | 48" | 12 | 16,800' | 48' trailer |
| 2-1/2" | " | 2,900' | 114" | 68" | 48" | 8 ** | 23,200' | Drop-deck Trailer |
| 3" | 3.500" | 900' | 96" | 68" | 48" | 12 | 10,800' | 48' trailer |
| 3" | " | 1,800' | 114" | 68" | 48" | 8 ** | 14,400' | Drop-deck Trailer |
| 4" | 4.500" | 500' | 96" | 68" | 48" | 12 | 6000' | 48' trailer |
| 4" | " | 1,150' | 114" | 68" | 48" | 8 ** | 9,200' | Drop-deck Trailer |
| 5 | 5.563" | 475' | 114" | 80" | 48" | 8 ** | 3,800' | Drop-deck Trailer |

** Requires drop-deck trailer, in addition two reels, not exceeding 102" OD, can be put on the step deck

All truckloads require a 102" wide trailer. Maximum weight is 45,000 pounds.



Packaging Information – Reels

REELS PACKAGING STANDARD

1. **LOADING REELS-**

- A. When pre-wrapped coils are installed on a reel, as a secondary step, it's recommended that the reels be loaded such that one of the spokes is in the vertical position. The vertical spoke will absorb the dynamic load during transportation without flattening the rim.
- B. Leave at least two inches between rows of reels to avoid product damage that can occur if the steel reel rubs against another.
- C. Chock both sides of the reel. Its required to use either three wedges per side, the center wedge used to chock both reels, or a 3" x 4" board nailed in front and back of the reels.

2. **SECURING REELS TO TRUCKS-**

- A. **Straps** are used to preload the trailer. Straps should run across the bottom of the reels on the pipe and be secured to both sides of the trailer. Secure front and rear reels with a strap that tightens toward the center of the trailer. A half twist in each strap is recommended on both sides of the trailer. This will reduce the wind resistance from loosening the straps. Straps must be tightened within 50 miles of the plant. During each stop, driver should inspect and maintain tight straps.
- B. **Chains** are used to complete the securing of the load; they should be installed through the center hub of the steel reel. Each row of reels should have two chains, one chain tightened towards the center of the trailer and another tightened towards the closest end of the trailer. **Chains should not come in contact with the pipe.** The driver is responsible for installing the chains and ensuring they are strong enough to secure the load to the trailer. Chains should be inspected and tightened within 50 miles after leaving the plant.

3. **END CAPS**

- A. End caps will be provided for all reeled products except for the inside pigtail on product greater than 2".

4. **PIGTAIL**

- A. "Pigtails" on each coil, 2" or smaller, shall be looped approximately 4" from the end with banding material and secured to the body of the coil.
- B. Care should be taken on conduit larger than 2" in diameter to insure that the "pigtail" doesn't cause an indentation on the second layer of pipe
- C. **The inside pigtail must be connected to the reel. This applies whether the product is directly wound onto the reel or pre-coiled with the coil subsequently installed on the reel.**

Packaging Information – Reels

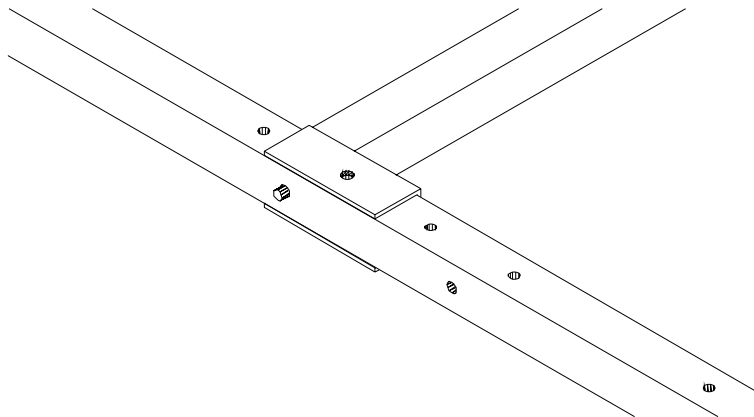
STEEL REEL WEIGHT-

| SIZE REEL | WEIGHT PER REEL Empty |
|-----------|--------------------------|
| 96" | 290pounds |
| 114" | 330 pounds |

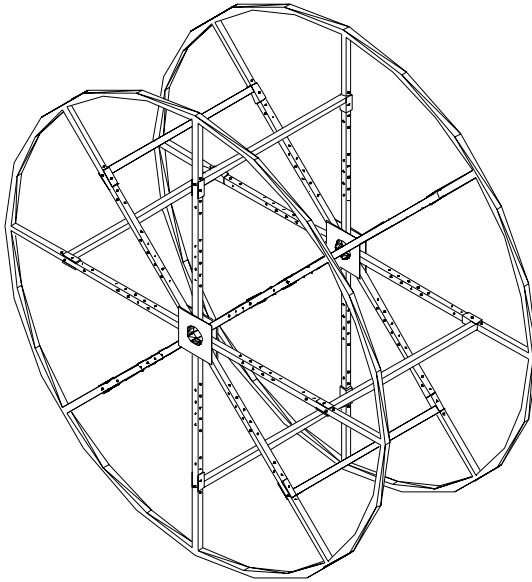
5. REEL ASSEMBLY

- A. Snap Pins- Ensure that the clip is snapped over the end of the pin, which will keep the pin from vibrating out while being transported. Snap pins are preferred over bolts & nuts as it is difficult to visually access the tightness of the nut once assembled. All traverses are to have snap pin on each end of the traverse.
- B. Bands: Some customers prefer the use of bands for the assembly of the reels. The reason for this preference is that it has benefits associated with taking the reels apart in the field. When reels are assembled using banding: The banding material must be steel, there must be four equally spaced bands applied (every other traverse) and a minimum of two traverses 180 degrees apart must have a snap pinned on each side. The snap pinned traverses act as a safety net should one or more bands be broken.

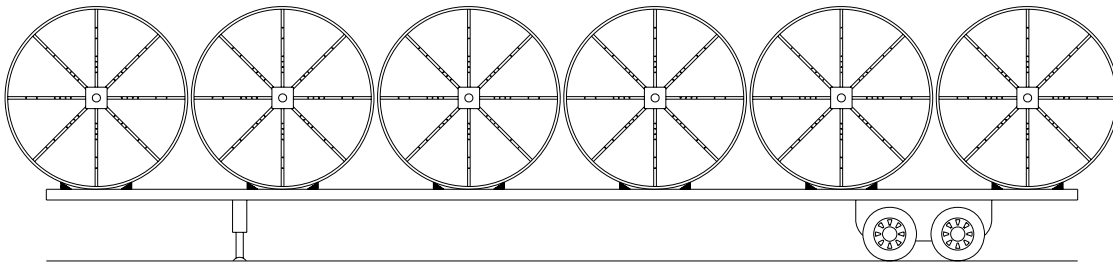
7: REEL ASSEMBLY DRAWING-



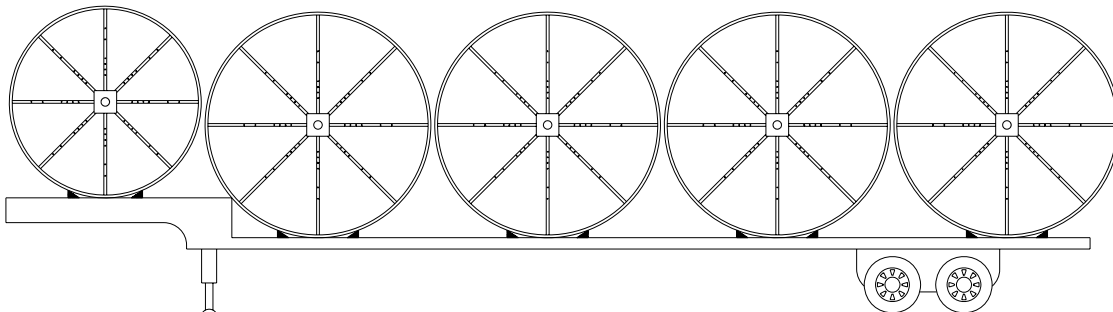
Packaging Information – Reels



8. TRUCK LOAD DRAWING-



Flat bed trailer: The trailer should be 48' long and 102" wide for 96" reels.

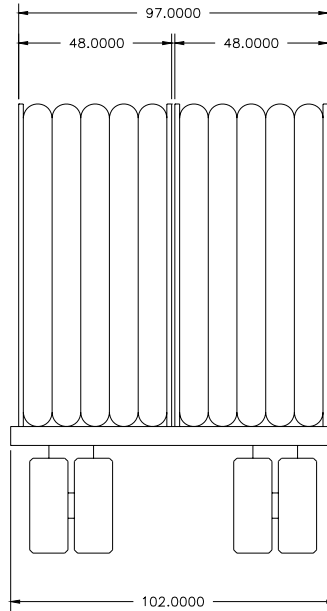


Drop deck Trailer: The drop deck is 38' long, the step deck 10' long and the trailer is 102" wide.



Packaging Information – Reels

To be used for 114" on the drop deck & 96" reels will fit on the step deck.



Performance Pipe, a division of
Chevron Phillips Chemical Company LP

PO Box 269006
Plano, TX 75026-9066

Phone: 800-527-0662
Fax: 972-599-7348

Issued 07-24-2008 Replaces 08-30-2006
(CR Packaging Manual B.3)

Page 5 of 5